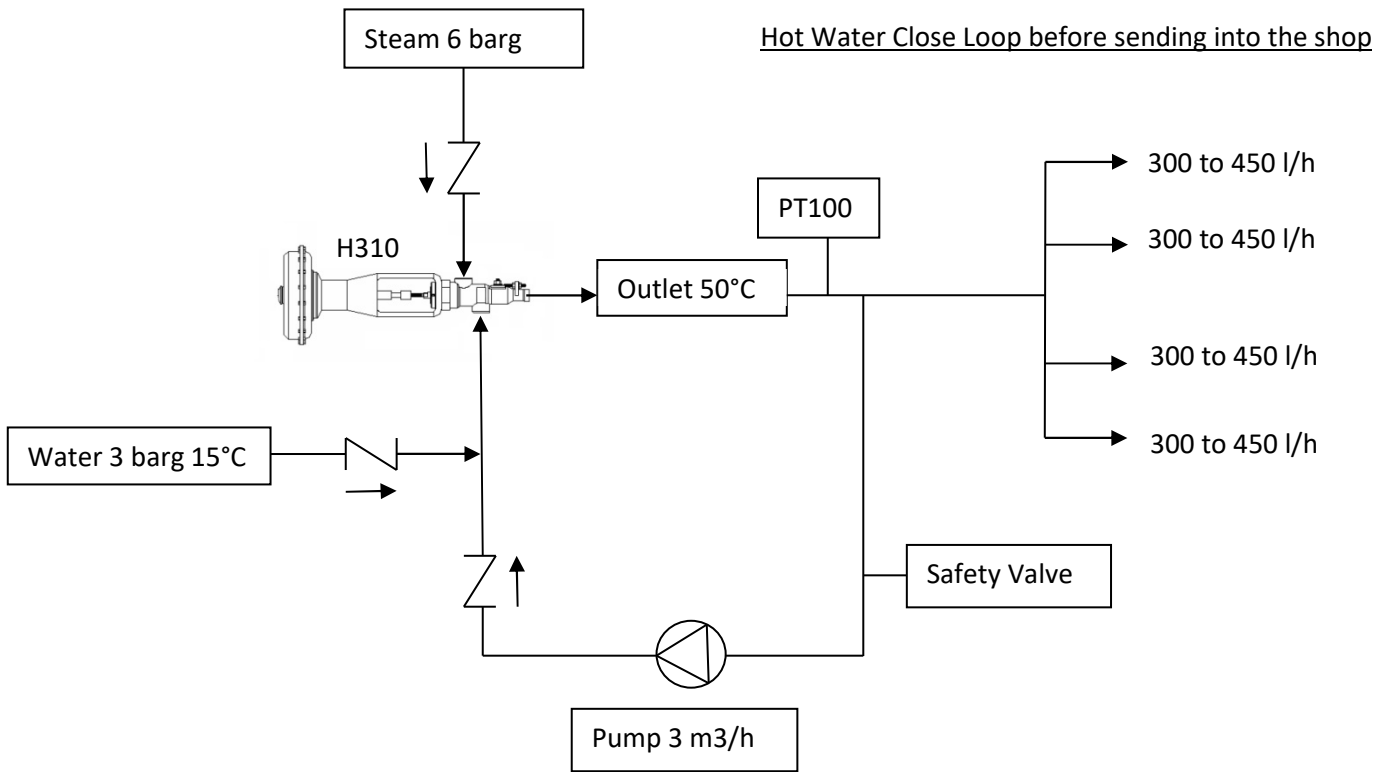


# Hot Water Close Loop Example



Close Loop length minimum 3 meter.

